

Director

Executive Leather Chair



135
KG
MAX USER

10
YEAR
WARRANTY

CS
X
CS-XPRESS



Director

Executive Leather Chair

135 KG	10 YEAR	
MAX USER	WARRANTY	CS-XPRESS

Overview

Director executive is a modern European styled chair range available in both High and Medium back options. Finished in high grade Black or Tan leather, complimented with a polished alloy base and arms. With a slim back design and comfortable moulded seat foam, Director is the ideal choice for board rooms, meeting areas or executive offices.

Warranty: 10 Years
Max Capacity: 135kg
Mechanism Type: Single Lock Mechanism, synchronous tilt

The Range



Director Executive High Back Black Leather Chair *



Director Executive High Back Tan Leather Chair *



Director Executive Mid Back Black Leather Chair



Director Executive Mid Back Tan Leather Chair



Director

Executive Mid Back Leather Chair

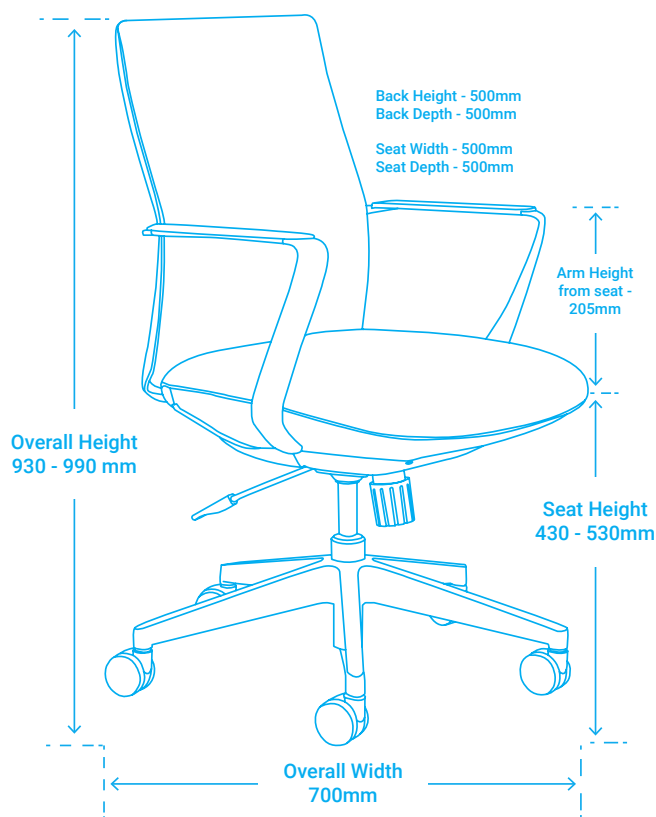
Dimensions (mm)

Overall Height	Seat Height	Overall Width
930 to 990mm	430 to 530mm	700

Back Height	Back Depth	Seat Width	Seat Depth
500	500	500	500

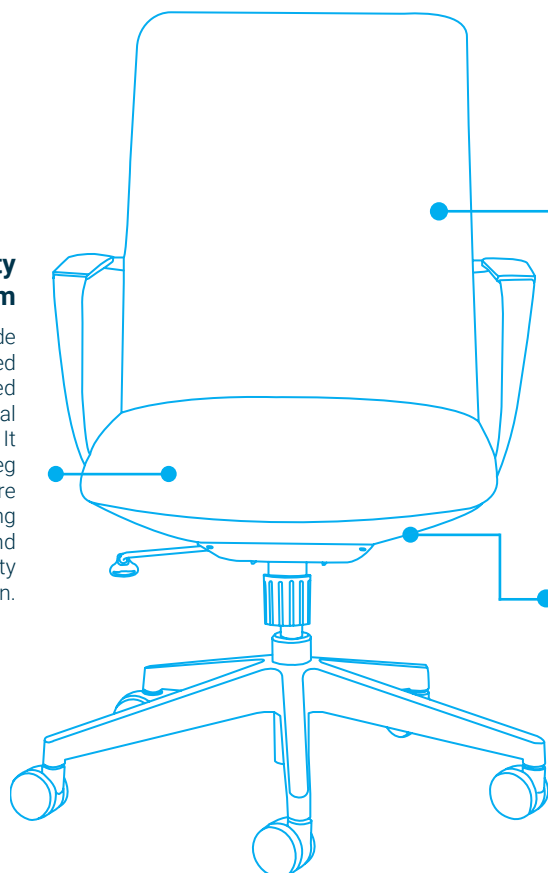
Boxed Dimensions (mm)

Box	Weight
770 x 350 x 650 mm	16kg



Soft High Density Molded Foam

The seat cushion is made from high-density moulded foam, featuring a streamlined arc design for optimal elasticity and support. It conforms to the hip and leg curves, dispersing pressure to prevent fatigue, offering excellent resilience and strong load-bearing capacity without deformation.



Steel Back Frame Light & Thin Support

The backrest features a steel frame structure with internal elastic support, moving away from traditional wooden board designs for a lighter and thinner profile.

Single Lock Mechanism, synchronous tilt real-time support

Equipped with a foldable large-handle butterfly chassis, the chair conforms to the human back curve. It synchronously tilts with body movements, providing real-time lower back support, relieving fatigue from prolonged sitting, and restoring energy for better work performance.

Director

Executive High Back Leather Chair *

Dimensions (mm)

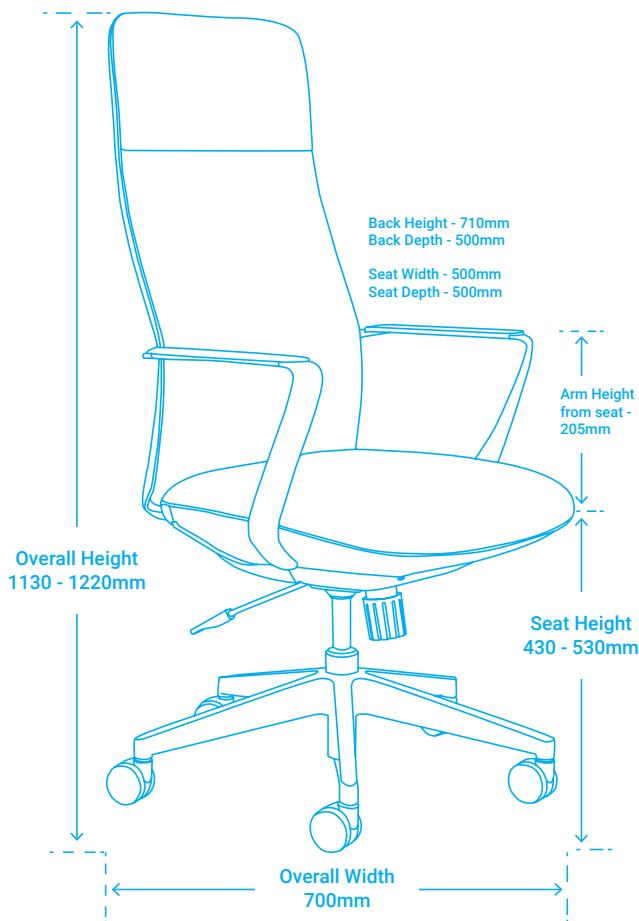
Overall Height	Seat Height	Overall Width
1130 to 1220mm	430 to 530mm	700

Back Height	Back Depth	Seat Width	Seat Depth
710	500	500	500

Boxed Dimensions (mm)

Box	Weight
860 x 350 x 640 mm	17kg

* Sold in Australia only



Soft High Density Molded Foam

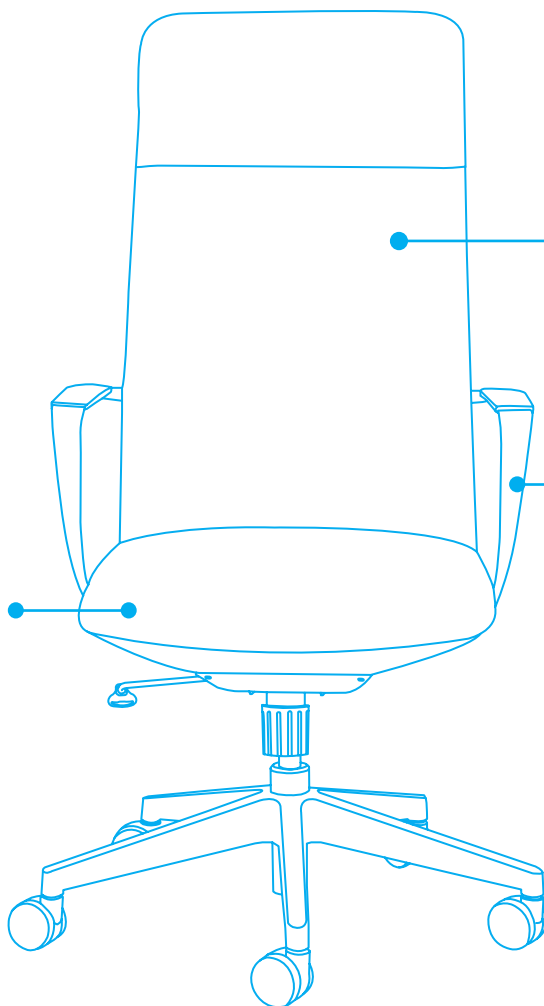
The seat cushion is made from high-density moulded foam, featuring a streamlined arc design for optimal elasticity and support. It conforms to the hip and leg curves, dispersing pressure to prevent fatigue, offering excellent resilience and strong load-bearing capacity without deformation.

Steel Back Frame Light & Thin Support

The backrest adopts the steel frame structure and the inner elastic support, instead of the traditional wooden board process.

Fish-like Armrest with Delicate Support

Crafted from integrally formed aluminum alloy, the armrest is wrapped in smooth and delicate PP material, providing gentle and refined support.



ChairSolutions



CS NSW

(+61) 02 9624 1733

1/21 Foundry Road, Seven Hills, NSW 2147
salesnsw@chairsolutions.com.au

CS QLD

(+61) 07 3267 6233

57 Raubers Road, Northgate, QLD 4013
sales@chairsolutions.com.au

CS VIC

(+61) 03 9357 5765

40-42 Merola Way, Campbellfield, VIC 3061
salesvic@chairsolutions.com.au

CS WA

(+61) 08 9456 3322

14 Tacoma Circuit, Canning Vale, WA 6155
saleswa@chairsolutions.com.au

CS NZ

(+64) 04 567 3100

1/77 Port Road, Seaview, Lower Hutt 5010
sales@chairsolutions.co.nz