

R1 TASK MESH SEATING

BRENT

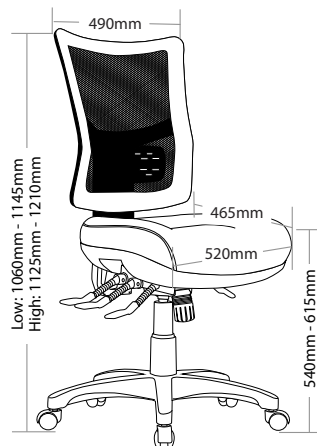
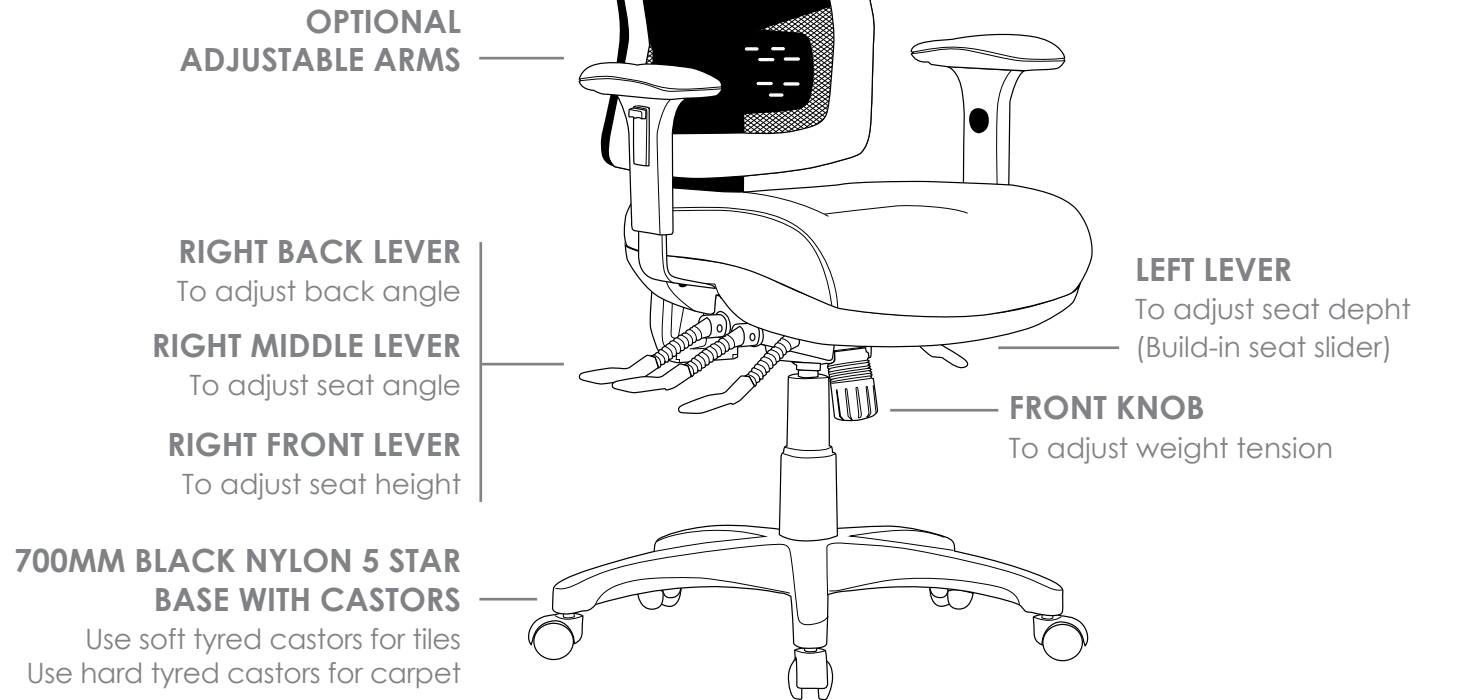


FEATURES

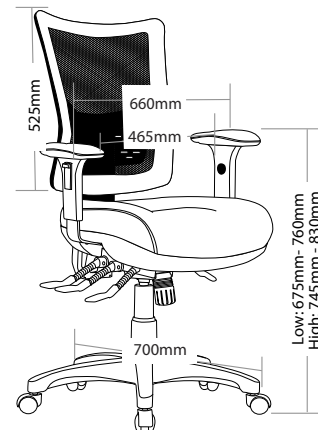
- » Adjustable seat height
- » Adjustable back height (ratchet)
- » Adjustable back and seat angle
- » Adjustable weight tension
- » Adjustable seat depth (build-in seat slider)
- » Adjustable lumbar support
- » Optional adjustable arms
- » Moulded seat foam
- » Big boy seat
- » Mesh back
- » 3 lever ergonomic heavy duty mechanism
- » 700mm black nylon base
- » Available in Metro black only
- » AFRDI tested to level 6
- » Suitable for indoor use only
- » 7 year warranty
- » Weight limit is 140kg

INDOOR USE ONLY

X Do not use as a step ladder



BRENT-MB



BRENT-C-MB

BRENT TASK MESH SEATING



BRENT-MB



BRENT-C-MB



BACK VIEW